



ABOUT US

Valmark is a leading stockist and supplier of Industrial valves, seamless and welded pipes, fittings, flanges, casing, tubing, drill bits and drilling accessories to the oil & gas, petrochemical, refining, renewable energy, power water and process industries.

With years of industry experience, network and its high reputation within the industry, we strive to meet our clients' ever changing needs with dependable service and expansion of product line, in order to ensure greater performance and profitability for them.

Headquartered in UAE and with offices in key countries around the Globe. We also support our customers internationally through a network of offices covering Americas, Europe, Asia, Africa and CIS Countries.

Valmark is an One Stop Place for all of your project requirements around the Globe.

We are committed to continual improvement and welcome your valuable feedback. We are here to serve you in your projects requirement.

R.K.E.Sargunam
President



OUR VISION

'To be clients' preferred supplier of valves & piping materials.

OUR MISSION

To maintain and improve market leadership by employing high-level services, product quality, and QA standards to meet client specification requirements to international criteria.'

OUR VALUES

Customer Relationships, Integrity, Teamwork, Ownership & Commitment.

VALMARK SPECIALIST

VALMARK are specialist suppliers of valves, actuators and piping products to the Petrochemical, Oil & Gas, Energy and General process industries. We have at your disposal our own experts, each with a lifetime of experience in key positions. You will benefit from our long standing relationships with the leading manufacturers across the Globe. If we don't have what you need in stock, we will source valves or any other pipeline products from our worldwide sourcing partners.

OUR DEDICATED TEAM PROVIDES OUR CUSTOMERS WITH COMPLETE SOLUTIONS, INCLUDING:

- Fast Track Projects supply.
- Complete supply chain management and solutions.
- Sourcing from Project approved manufacturers .
- Readily available stock in strategic global locations like UAE , USA , UK , ITALY , SINGAPORE & Australia .
- Product modifications , Flange Modification ,stem extensions and pups .
- Documentation such as Technical drawings, MTRs, and IOMs
- Tagging and Delivery .

" VALMARK SPECIALIZES IN SUPPLY OF VALVES AND PIPING MATERIALS WITH SHORT LEAD TIME PROJECTS DELIVERIES "

GROUP COMPANIES



PRODUCT RANGE

MECHANICAL

BALL VALVES

- ◆ Floating and Trunnion Mounted Ball Valve
- ◆ Cast and Forged Design of Ball Valve
- ◆ Class: 150# to 2500#
- ◆ Pneumatic Ball Valve [MOV – ESD – BDV]
- ◆ Stainless steel Ball Valve
- ◆ 2 and 3 piece split body design and Top Entry
- ◆ Design: ISO 17292 / API 6D / B16.34



API GATE , GLOBE & CHECK VALVES

- ◆ Size: ½" to 48"
- ◆ Class: 150# to 2500#
- ◆ Flanged to B16.10, BW to B16.25, SW to B16.11
NPT to B1.20.
- ◆ Design: API 600 / BS 1873 / BS 1868 / API 602
- ◆ Operator: HW / GEAR / MOV / ESD



DOUBLE BLOCK AND BLEED VALVES (DBB VALVES)

- ◆ Full Bore & Reduced Bore
- ◆ Soft Seat / Metal Seated
- ◆ Design: API 6D / API 6A In Principle
- ◆ Operator: Lever / Gear / MOV / ESDV



BUTTERFLY VALVES

- ◆ High Performance Butterfly
- ◆ PTFE –Lined Butterfly
- ◆ Resilient Seated Butterfly
- ◆ Wafer ,Lug , Eccentric ,Flanged Type Valve



API 6A VALVES

- ◆ Slab Gate Valves
- ◆ Expanding Gate Valves
- ◆ Needle Adjustable Choke
- ◆ Trunnion Mounted Ball Valves
- ◆ External Sleeve Adjustable Choke
- ◆ Positive Choke
- ◆ Check Valves
- ◆ Mud Gate Valves



CONTROL VALVES

- ◆ Globe & Ball Type control Valve
- ◆ Pressure Relief Valve
- ◆ Safety relief Valve
- ◆ Solenoid Valve & Limit Switches



ACTUATOR :

PNEUMATIC VALVE ACTUATORS

- ◆ Rotary Actuators
- ◆ Double Acting
- ◆ Spring Return
- ◆ Linear Actuators



ELECTRIC VALVE ACTUATORS

- ◆ Motorized Valve Actuators
- ◆ Wiring Entry and Connections

HYDRAULIC ACTUATORS

- ◆ Cylinders or jacks.
- ◆ Motors
- ◆ Rotary actuators



LINE PIPES

Supplier of a wide range of seamless and welded pipes in all grades carbon steel, alloy steel, stainless steel, duplex, super duplex and higher alloys in sizes from 1/8" to 120" NPS.

- ◆ Seamless Carbon Steel Line Pipes for Sizes 1/8" up to 24"
- ◆ Seamless Heat Exchanger Tubes
- ◆ Seamless Boiler Tubes
- ◆ Electric Resistance Welded (ERW) Line Pipes
- ◆ Spiral and Longitudinal Submerged Arc Welded Line Pipes Size 2" to 120 "



CASING & TUBING

- ◆ Seamless OCTG Tubing and Casing from 2 3/8" up to 20 "
- ◆ Welded Casing up to 32"



FLANGES AND FITTINGS

- ◆ Elbows
- ◆ Equal & Reducing Tees
- ◆ Concentric & Eccentric Reducers
- ◆ Seamless and Buttweld Fittings
- ◆ Flanges – Slip-on , Welding Neck , Socket Weld & Blind



GASKETS

- ◆ Type: Spiral Wound
Compressed Non Asbestos Fibre (Cnaf) and Ring Joint
- ◆ Size Range: 1/2" to 36" from 150 to 2500 Class



STUD BOLTS & NUTS

- ◆ Stud Bolts Grade: ASTM A193 GRADE B7 / B7M
- ◆ Nuts Grade: ASTM A194 GRADE 2H / 2HM
- ◆ Note: They are also available in Stainless Steel and Low Temperature grades. These can be supplied in Cadmium Plated, Galvanised or Black Finish.



DRILLING EQUIPMENTS

- ◆ Well Control and Drilling Equipment
- ◆ Blowout Preventers (BOPs) both RAM type and Annular,
- ◆ API Valves and Chokes,
- ◆ Diverter Spools, Mud Cross, DSAs (Double Studded Adapters)
- ◆ Flanges, Hole Openers, Stabilizers, Drilling Jars, Shock Tools.
- ◆ Casing Handling Tools, Fishing Equipment, Elevators and Elevator Bails, Mills, Rotary Tables, Kelly Spinners, Shackles, Sheaves, Blocks, Hooks, Drill Lines,
- ◆ Downhole Tubulars (Drill Collars, HWDP, Drill Pipe) Crossover Subs and Pup Joints



CASING ACCESSORIES

- ◆ Centralizer
- ◆ Stop collar Cement Basket Float equipment
Reamer Shoe Cement plug
- ◆ DV Tools



LINER HANGER SYSTEM

- ◆ Mono Bore Liner Hanger system Expandable
Liner hanger system Hydraulic Set
- ◆ Mechanical set
- ◆ Conventional Liner Hanger System Running String
& Accessories



PACKER SYSTEMS

- ◆ Hydraulic Set Packer Mechanical set Packer
Retrievable Packers Wireline Packer
- ◆ Open hole Packers Packer Accessories



INSTRUMENTATIONS

- ◆ Instrumentation Valves
- ◆ Instrumentation Fittings
- ◆ Instrumentation Cables
- ◆ Industrial Guages
- ◆ PLC's & SCADA
- ◆ Well Head Control Panels
- ◆ Process Skid
- ◆ Calibration of Instruments



ELECTRICAL & FIRE FIGHTING

- ◆ LV and HV Power cables
- ◆ Fiber Optic cables
- ◆ Fire Resistant cables
- ◆ Lighting (Explosion Proof - ATEX)
- ◆ Generator Set
- ◆ Transformer
- ◆ LT & HT Panel Boards
- ◆ ACB, MCCB, MCB Circuit Breakers
- ◆ Contactors & Relays
- ◆ Isolators & Wiring Accessories
- ◆ Cable Management System
- ◆ PVC & GI conduits
- ◆ Cable Gland & Lugs
- ◆ Fire Pump
- ◆ Fire Hoses & Reel
- ◆ Fire Hydrant
- ◆ Fire Sprinkler
- ◆ Mobile Foam Unit



VALMARK ENGINEERING SERVICES

SERVICES FOR ONSHORE FACILITIES:

- ◆ Shutdown & Turnaround Services
- ◆ Mechanical Services
- ◆ Plant Maintenance Services
- ◆ Storage Tank Cleaning & Maintenance
- ◆ Online Leak Sealing
- ◆ Manpower Services
- ◆ Scaffolding Services



VALVES ENGINEERING SERVICES

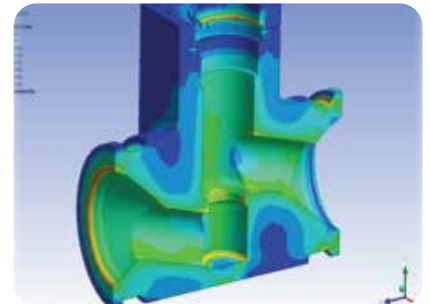
We provide support for installation, troubleshooting calibration and commissioning of the below products.

- ◆ Control Valves with smart positioners (HART & FF Protocol).
- ◆ ESD valves with PST and special logic circuits.
- ◆ Automated On-Off valves with Pneumatic Hydraulic & Electric actuators.
- ◆ Displacer type Level Transmitters.
- ◆ HPU – Hydraulic Pressure Units.
- ◆ Repair & refurbish of self-regulators.
- ◆ Retrofit of Actuator on existing manual valves.
- ◆ Conversion/ Replacement of existing positioners with upgraded smart positioners.
- ◆ Complete support for capacity (Cv) change of control valve trims.



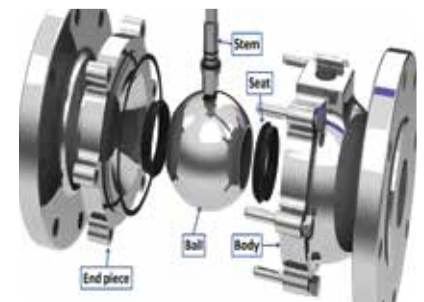
VALVE AUTOMATION

- ◆ Actuator sizing & selection
- ◆ Mounting bracket design & supply
- ◆ Integration & Assembly
- ◆ Testing of the complete assembly
- ◆ Site installation & Commissioning
- ◆ Training



CONTROL VALVES

- ◆ On-Site survey and audit for health check
- ◆ Report preparation with complete recommended spares
- ◆ Trim modification for capacity increase
- ◆ Repair & Refurbishment
- ◆ Retrofitting with Smart Positioners
- ◆ On-Site calibration
- ◆ Site installation & Commissioning
- ◆ Training



SPECIAL ACTUATORS & HYDRAULIC PRESSURE UNITS

Trouble shooting of the below Sevier Service Valves

- ◆ Turbine MSV, ICV & GV
- ◆ Turbine By-Pass valves & Steam conditioning valves and control system
- ◆ Boiler Feed Water Valves
- ◆ Pump re-circulation Valves
- ◆ Startup vents

**PROFESSIONAL SUPPLIER OF INDUSTRIAL VALVES
ESD VALVES & CONTROL VALVES**

OUR CLIENTS



INDUSTRIES WE DEAL

OIL & GAS



PETROCHEMICAL



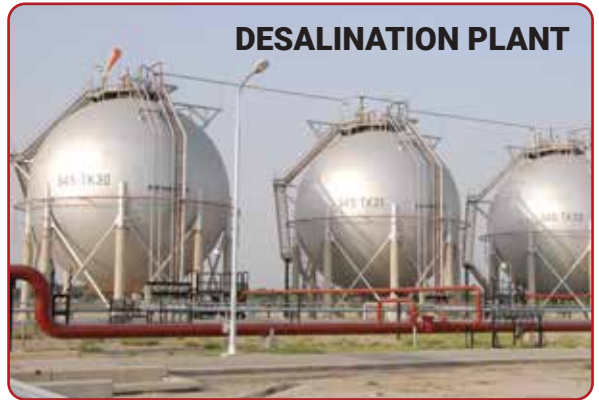
LNG/ GTL



POWER PLANT



DESALINATION PLANT



SHIPBUILDING

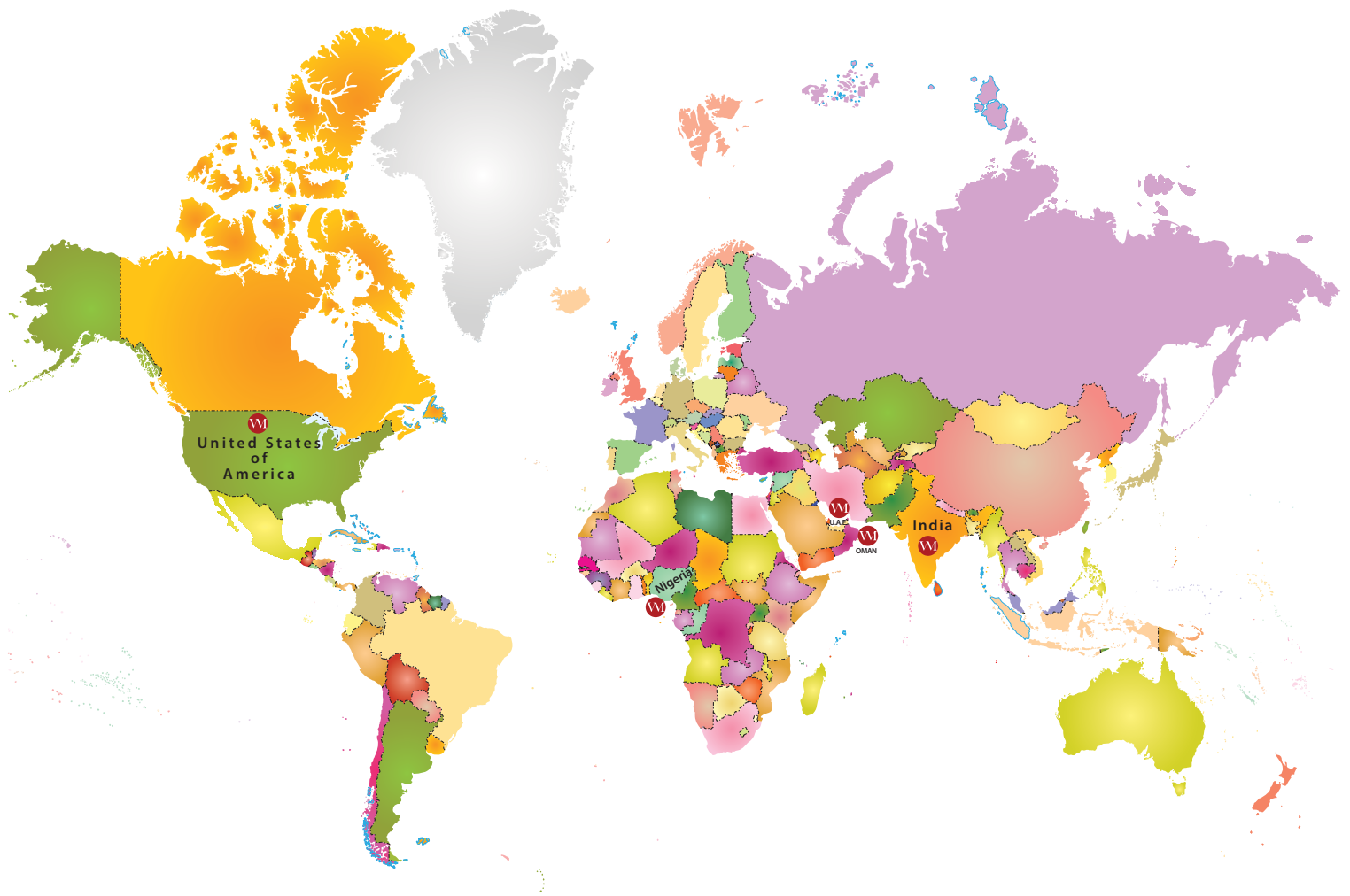


MRO



PROFESSIONAL STOCKIST AND SUPPLIER OF INDUSTRIAL EQUIPMENTS

OUR GLOBAL REACH



OFFICES :

HEAD OFFICE

VALMARK DWC LLC
Office No. 129,
DWC Business Park
Block A3, Jebel Ali, Dubai, UAE
Tel : +97148879675
Fax : +97145130883
E-mail : sales@valmarkme.com
www.valmark.ae

ABUDHABI

**VALVEMARK EQUIPMENT
AND MACHINES TRADING LTD**
Office No Eo-09,
Adpc Building No 280
Taweelah , Abudhabi , UAE
Tel : +97125105729
Email : sales@valvemark.net
www.valmark.ae

AJMAN

VALMARK TRADING FZE
PO Box 40474, Ajman,
United Arab Emirates.
Tel : +97144429102
E-mail : sales@valmark.ae
www.valmark.ae

INDIA

VALVEMARK PRIVATE LIMITED
No 47, 6th Street, Sakthi Nagar
Thoraipakkam, Chennai-600097
Tamil Nadu, India
Tel : +91-44-43585802
E-mail : sales@valvemark.in
www.valvemark.in

SULTANATE OF OMAN

ENERGY POWER ENGINEERING LLC
PO Box 46, Postal Code 116
Menaz Building, Way No: 6108
Plot No: 261, Ghala Tower, Muscat
Sultanate of Oman, Tel: +968 2257 4425
E-mail: sales@energyoman.com
Website: www.energyoman.com

USA

VALMARK ENERGY LLC
Suite 312A , 10039 Bissonnet St
Forum EST Building , Houston
TC 77036, USA.
Tel: +210 891 4548
sales@valmarkenergy.com
www.valmarkenergy.com

USA

VALMARK ENERGY LLC
22503 Katy Freeway
Suite 42, Katy
Texas 77450, USA
Tel: +1 302 208 6900
sales@valmarkenergy.com
www.valmarkenergy.com

NIGERIA

VALMARK ENGINEERING LTD.
Royal international event center,
Suite 31, KM 35 Iekki Epe Express Way
Opposite AutoNation Ibeju Lekki Lagos
NIGERIA .
E-mail: sales@valmarkco.com
www.valmarkco.com

www.valmark-group.com